



START Highbay

The new entry-level Highbay

START Highbay is a range of industrial fixtures developed for factory floor production areas, storage warehouses, airports, supermarkets, DIY superstores and large commercial areas. With a lumen maintenance of L70:B50 -

90,000hrs, a 5 year warranty and energy efficient LED technology - START Highbay can reduce your operational costs and lower your energy consumption.

START Highbay



Features

- High performance: delivers 20,700lm (luminaire lumen output on 180W version), with up to 115lm/W (total system efficiency)
- 3 different lumen packages (10klm, 15klm, 20klm)
- Surge protection: L/N-PE:6kV,L-N:4kV
- Photobiological risk group: RG1
- Operating temperature from -20 to +45°C
- Available in neutral white (4,000K) and cool white (6,500K*) colours
- Additional accessories: shade, mounting brackets and suspension chain for usage in different applications

Product information

Code	Description	Fixture Power (W)	Luminous Flux (lm)	Efficacy (lm/W)	Beam Angle (°)	Colour Temp (K)	Control Technology	SDCM
START Highbay								
0039614	START Highbay IP65 10,000lm 840 WB	90	10,350	115	95	4000	Non dimmable	5
0039615	START Highbay IP65 15,000lm 840 WB	135	15,500	115	95	4000	Non dimmable	5
0039616	START Highbay IP65 20,000lm 840 WB	180	20,700	115	95	4000	Non dimmable	5
0039629	START Highbay IP65 10,000lm 865 WB*	90	10,350	115	95	6500	Non dimmable	5
0039630	START Highbay IP65 15,000lm 865 WB*	135	15,500	115	95	6500	Non dimmable	5
0039631	START Highbay IP65 20,000lm 865 WB*	180	20,700	115	95	6500	Non dimmable	5

* on request

Code	Description
Accessories	
0039632	START Highbay Suspension Chain 1m
0039636	START Highbay Alu Shade
0039638	START Highbay Bracket and Arm

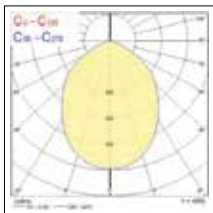


START Highbay Alu Shade



START Highbay Suspension Chain

Photometric Data



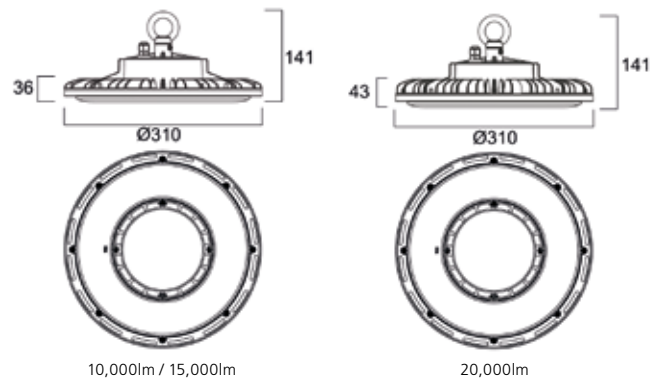
START Highbay Bracket and Arm



Additional Images



Dimensions (mm)



sylvania-lighting.com

A Feilo Sylvania Company

Although every effort has been made to ensure accuracy in the compilation of the technical detail within this publication, specifications and performance data are constantly changing. Current details should therefore be checked with Feilo Sylvania International Group Kft.
Copyright Feilo Sylvania International Group Kft. Limited September 2021

T: F:
Email: